

**Receiver**

**From**

Company  
Reference  
Address  
Phone  
Fax  
E-mail

**Item no.** 60196309  
**Customer pos. no.:**

**Model:**  
NOVABOX 30/300.1 M 40th

**Pump data**

Pressure rating :  
Min. fluid temperature :  
Max. fluid temperature : 50 °C  
Max. Temperature operating :

**Requested data**

Flow :  
Head :  
Fluid : Water  
Fluid Temperature : 20 °C  
Density: 998,3 kg/m³  
Kinematische viscositeit: 1,005 mm²/s  
Dampspanning: 0,00234 MPa

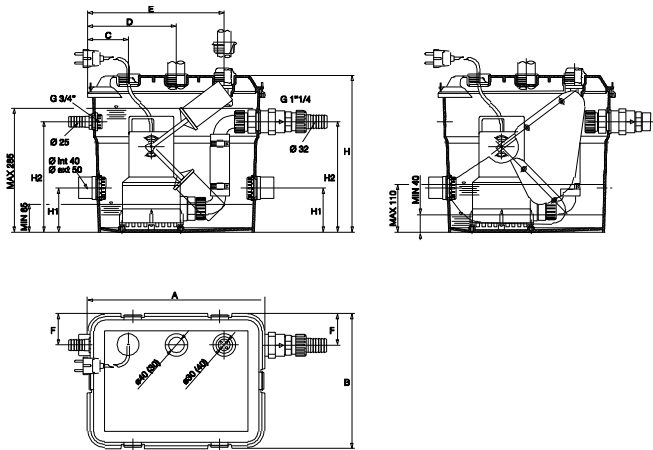
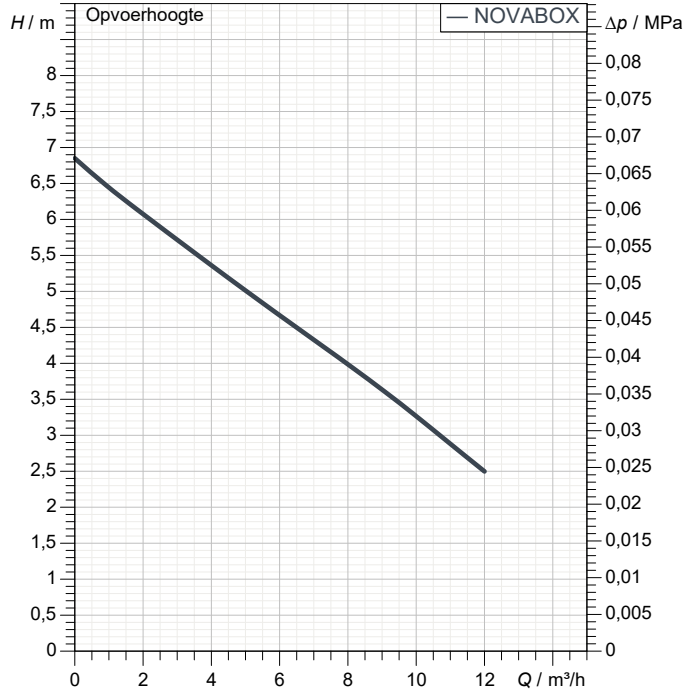
**Hydraulic data (duty point)**

Flow :  
Head :

**Materials**

Tank Technopolymer  
Unions Technopolymer  
Fitting Technopolymer  
Pipe Rubber  
Non-return valve OR Gasket EPDM  
Non-return valve Technopolymer  
Impeller Technopolymer

**Curve tolerance according to ISO 9906**



**Motor data**

Merk : DAB  
Nominal power P2: 0,22 kW  
Rated voltage : 1~ 230 V  
Nominal current : 1,5 A  
Number of poles : 2  
Rated speed: 2.900 1/min  
Degree of protection : IP 68

**Gewicht:** 9,2 kg

**Dimension mm**

A	407			
B	309			
C	94			
D	204			
E	314			
H	360			
H1	100			
H2	254			

**Pump connection**

Suction side /  
Discharge side 1" 1/4 G / --



# PERFORMANCE CURVES

2023-08-24

Pagina 2 / 3

DAB PUMPS S.p.A.  
Via Marco Polo, 14 - 35035 Mestrino (PD), Italy  
Tel. +39 049 5125000 - Fax +39 049 5125950  
www.dabpumps.com

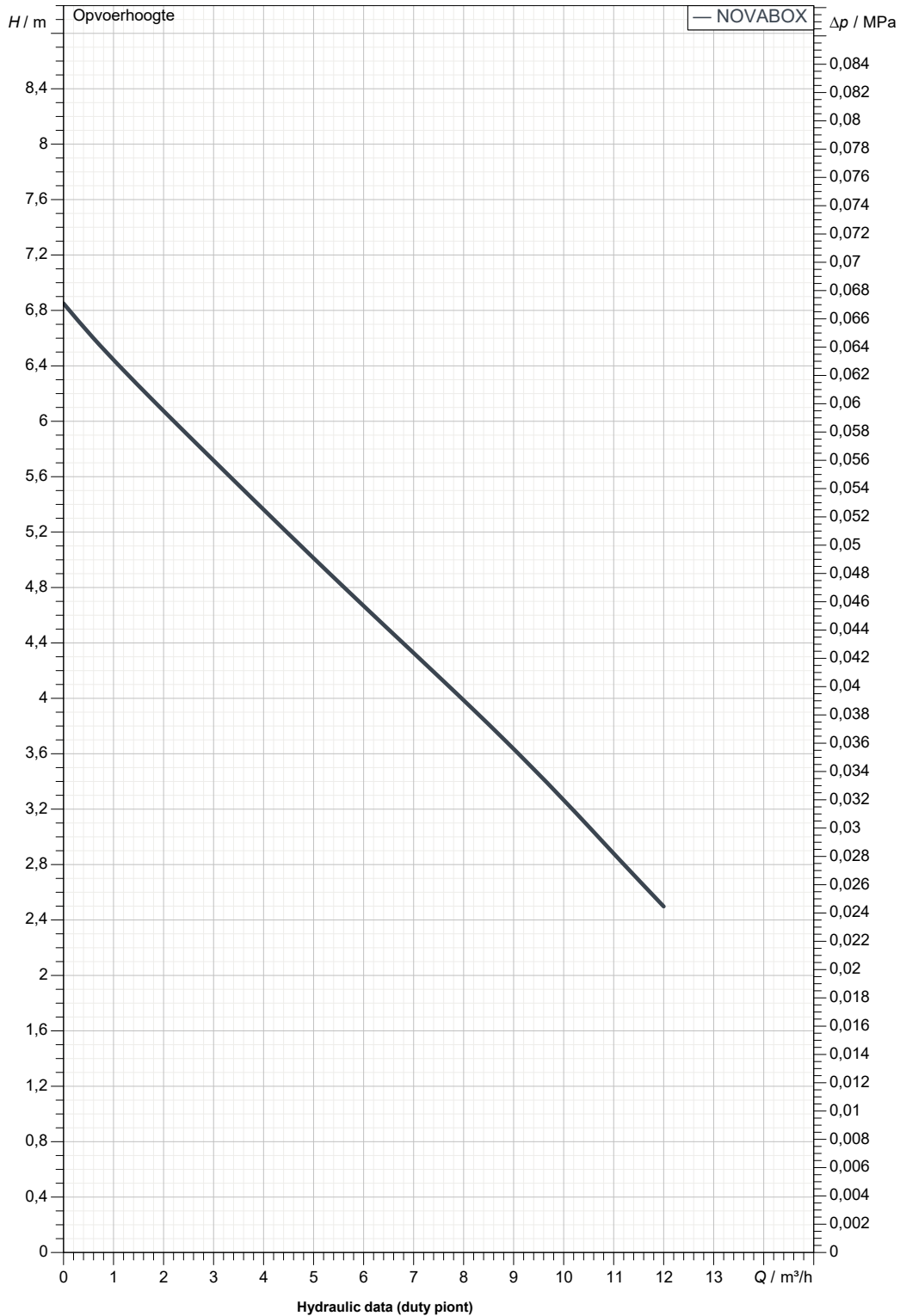
Receiver

From

Company  
Reference  
Address  
Phone  
Fax  
E-mail

## NOVABOX 30/300.1 M 40th

Curve tolerance according to ISO 9906



Suction side

Discharge side  
1" 1/4 G  
--

Flow :

Head :

Rated speed:  
2.900 1/min

MAIN\_PROJECT\_TITLE

BUSINESS\_PROCESS\_ID

OWNER\_

ISSUE\_DATE

2023-08-24



# DIMENSIONAL DRAWING

2023-08-24

Pagina 3 / 3

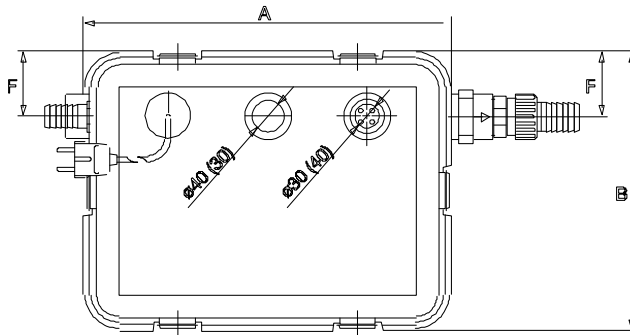
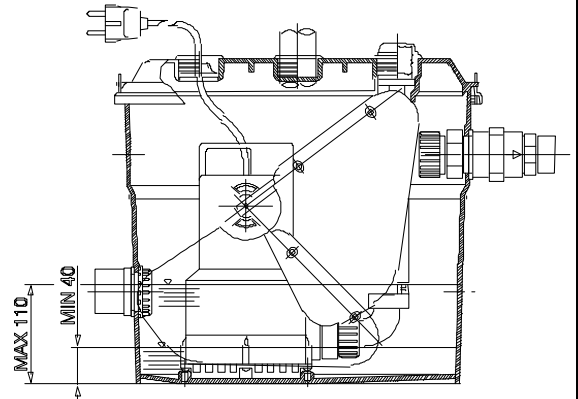
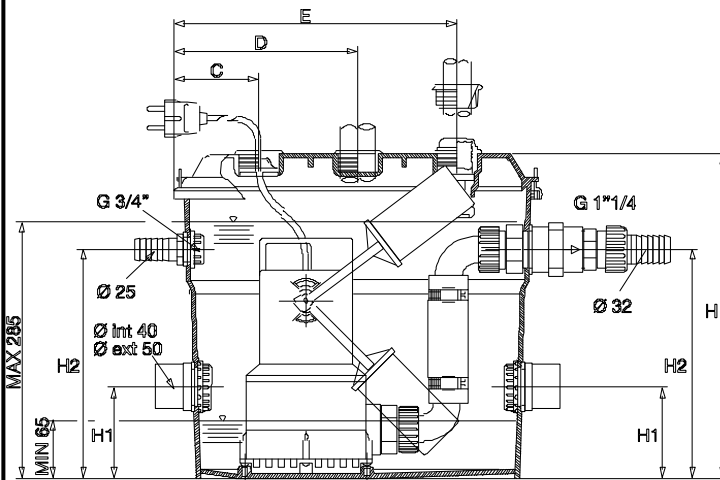
DAB PUMPS S.p.A.  
Via Marco Polo, 14 - 35035 Mestrino (PD), Italy  
Tel. +39 049 5125000 - Fax +39 049 5125950  
www.dabpumps.com

Receiver

From

Company  
Reference  
Address  
Phone  
Fax  
E-mail

## NOVABOX 30/300.1 M 40th



### Dimensions in mm

Dimensions in mm					Pump connection	
1	A	407				Suction
2	B	309				
3	C	94				
4	D	204				
5	E	314				Discharge
6	H	360				
7	H1	100				
8	H2	254				1" 1/4 G
9						--
10						
11						

MAIN\_PROJECT\_TITLE

BUSINESS\_PROCESS\_ID

OWNER

ISSUE\_DATE

2023-08-24