

Receiver

From

Company
Reference
Address
Phone
Fax
E-mail

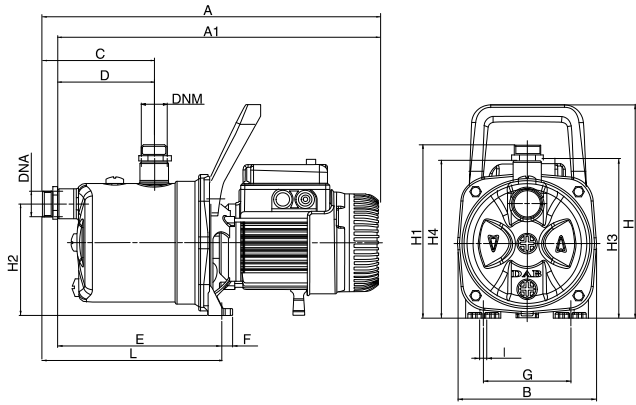
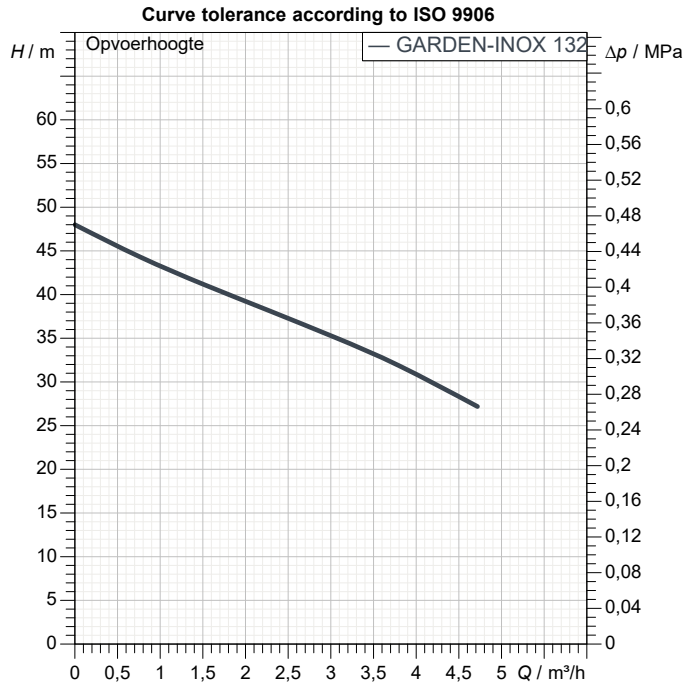
Item no. 60212519H
Customer pos. no.:
Model: GARDEN-INOX 132 M IE2

Pump data
Impellere size:
Pressure rating : 0,8 MPa
Min. fluid temperature : 0 °C
Max. fluid temperature : 35 °C
Max. Temperature operating : 40 °C

Requested data
Flow :
Head :
Fluid : Water
Fluid Temperature : 20 °C
Density: 998,3 kg/m³
Kinematische viscositeit: 1,005 mm²/s
Dampspanning: 0,00 MPa

Hydraulic data (duty piont)
Flow :
Head :

Materials
Pump body: AISI 304 X5 Cr Ni 1810 UNI 6900/71
Impeller: Technopolymer A
Shaft with rotor: AISI 303 X10 CrNiS 1809 UNI 6900/71
O-Ring: NBR
Support: Die cast aluminium
Mechanical seal: Carbon/Ceramic
Nozzle venturi diffuser assembly: Technopolymer A



Gewicht: 11,1 kg

Motor data
Merk : DAB
Nominal power P2: 0,85 kW
Rated speed: 2.830 1/min
Rated voltage : 1~ 230 V 50 Hz
Nominal current : 6 A
Degree of protection : IP 44

Dimension		mm	
A	444	H3	209
A1	424	H4	197
B	174	I	9
C	142	L	227
D	122		
DNA	1" G		
DNM	1" G		
E	207		
F	14		
G	111		
H	268		
H1	216		
H2	144		

Pump connection
Suction side: 1" G / 0,8 MPa
Discharge side: 1" G / 0,8 MPa



PERFORMANCE CURVES

2023-08-24

Pagina 2 / 3

DAB PUMPS S.p.A.
Via Marco Polo, 14 - 35035 Mestrino (PD), Italy
Tel. +39 049 5125000 - Fax +39 049 5125950
www.dabpumps.com

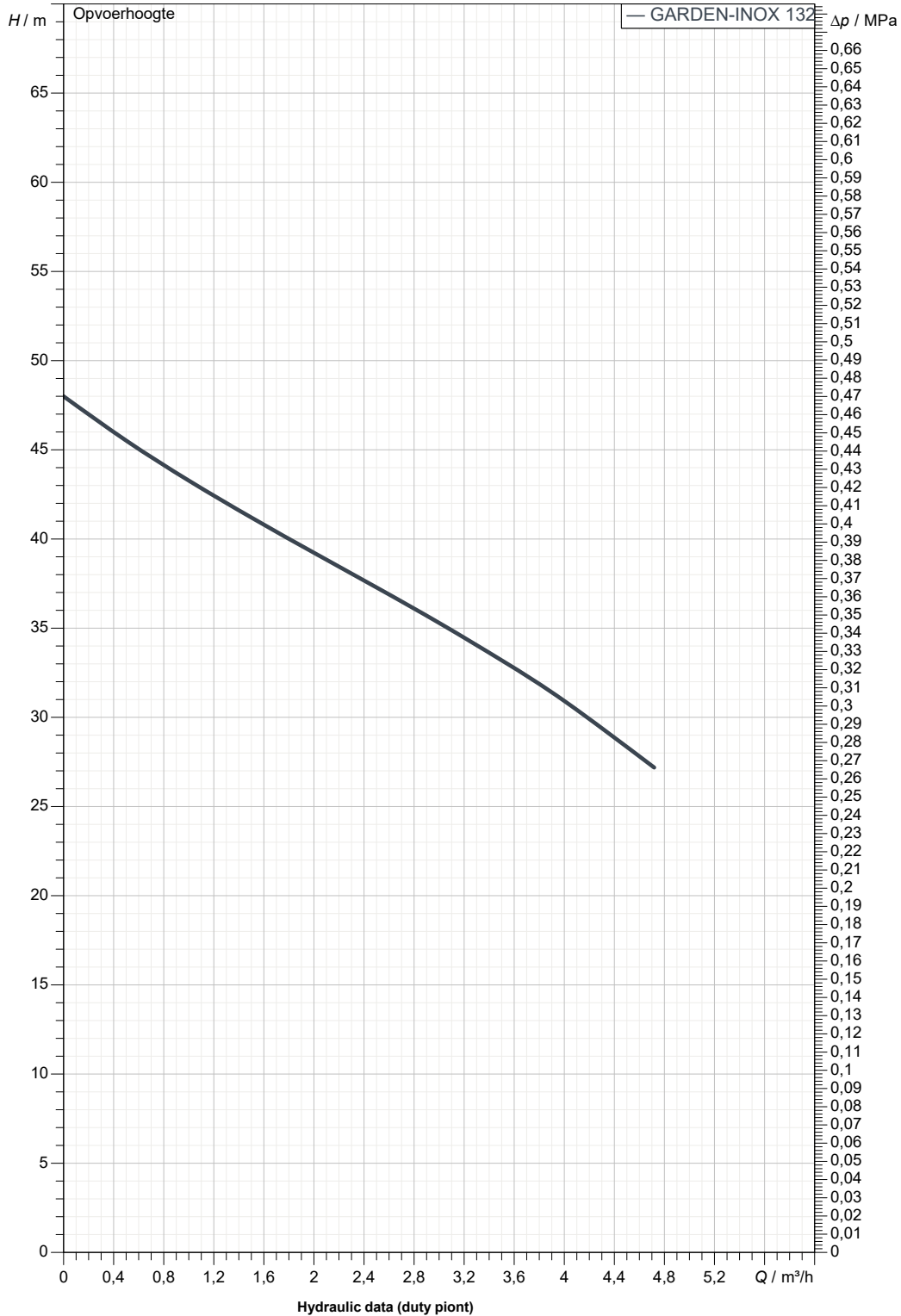
Receiver

From

Company
Reference
Address
Phone
Fax
E-mail

GARDEN-INOX 132 M IE2

Curve tolerance according to ISO 9906



Suction side 1" G 0,8 MPa	Discharge side 1" G 0,8 MPa	Flow :	Head :	Rated speed: 2.830 1/min
MAIN_PROJECT_TITLE	BUSINESS_PROCESS_IT	OWNER_	ISSUE_DATE 2023-08-24	



DIMENSIONAL DRAWING

2023-08-24

Pagina 3 / 3

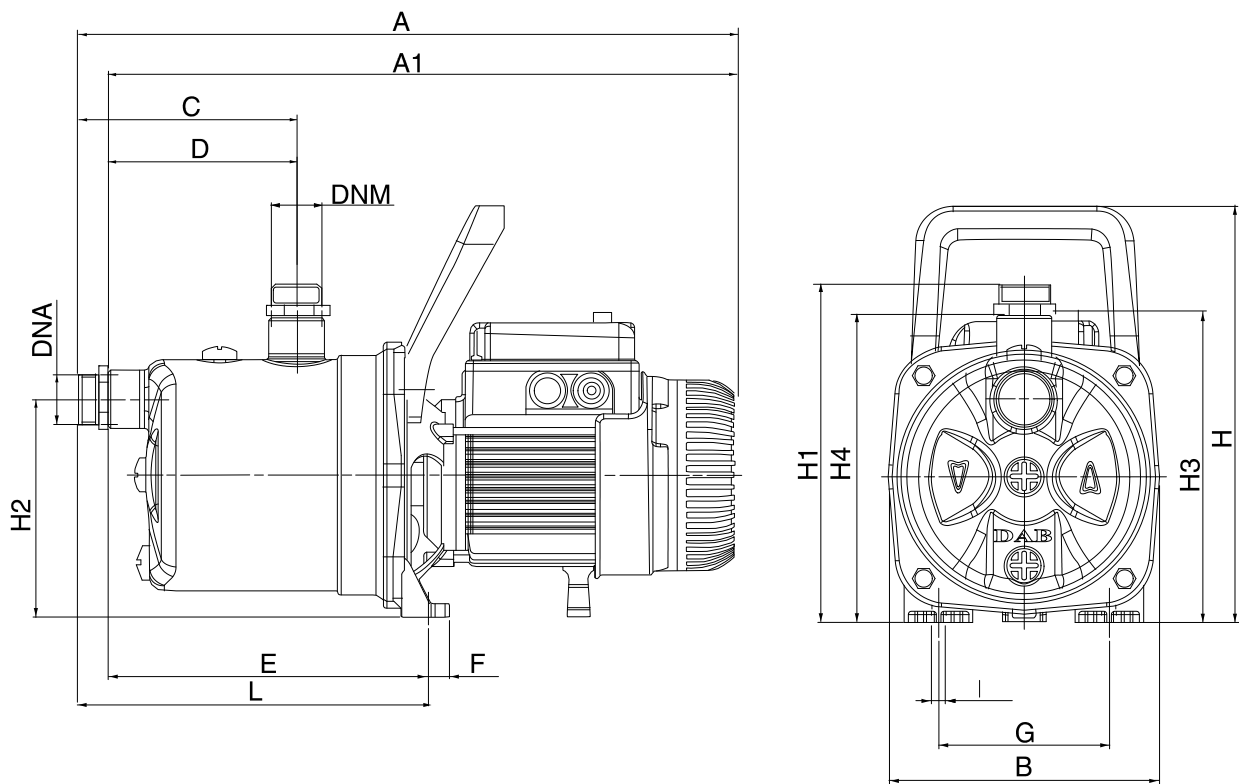
DAB PUMPS S.p.A.
Via Marco Polo, 14 - 35035 Mestrino (PD), Italy
Tel. +39 049 5125000 - Fax +39 049 5125950
www.dabpumps.com

Receiver

From

Company
Reference
Address
Phone
Fax
E-mail

GARDEN-INOX 132 M IE2



Dimensions in mm					Pump connection	
1	A	444	H1	216		
2	A1	424	H2	144		Suction
3	B	174	H3	209		1" G
4	C	142	H4	197		0,8 MPa
5	D	122	I	9		
6	DNA	1" G	L	227		
7	DNM	1" G				Discharge
8	E	207				1" G
9	F	14				0,8 MPa
10	G	111				
11	H	268				

MAIN_PROJECT_TITLE	BUSINESS_PROCESS_ID	OWNER	ISSUE_DATE 2023-08-24
--------------------	---------------------	-------	---------------------------------