

Receiver

From

Company
Reference
Address
Phone
Fax
E-mail

Item no. 60122691
Customer pos. no.:

Model:
FEKA BVP 750 M-A

Pump data

Free passage : 38 mm
Pressure rating :
Min. fluid temperature : 0 °C
Max. fluid temperature : 35 °C
Max. Temperature operating :

Requested data

Flow :
Head :
Fluid : Water
Fluid Temperature : 20 °C
Density : 998,3 kg/m³
Kinematische viscositeit: 1,005 mm²/s
Dampspanning: 0,00234 MPa

Hydraulic data (duty point)

Flow :
Head :

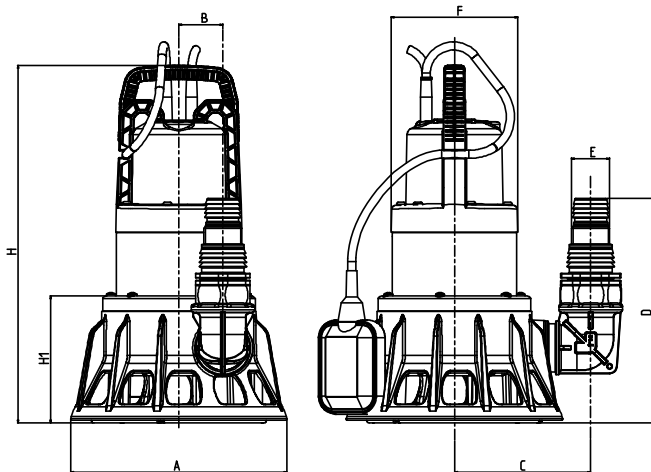
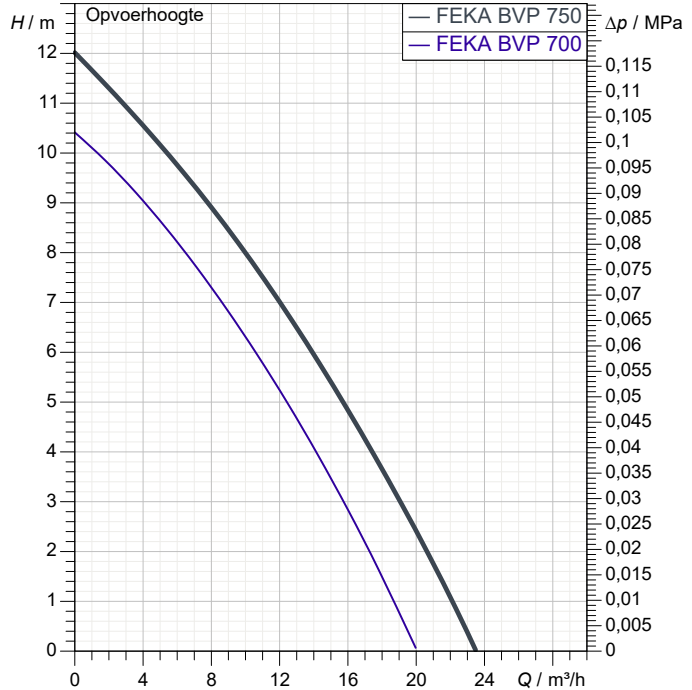
Materials

Pump body Technopolymer
Impeller Technopolymer
Motor shaft AISI 416 X12 CrS 13 UNI EN 10088-1
Motor top body Stainless Steel AISI 304
V-RING NBR
O-Ring NBR 70
Base plate Technopolymer

Motor data

Merk : DAB
Nominal power P2: 0,75 kW
Rated speed: 2.800 1/min
Rated voltage : 1~ 220-240 V 50 Hz
Nominal current : 4,6 A
Degree of protection : IP X8

Curve tolerance according to ISO 9906



Gewicht: 8 kg

Dimension mm

A	240				
B	49				
C	150				
D	250				
E	40				
F	140				
H	400				
H1	142				

Pump connection

Suction side /
Discharge side 1" 1/2 GAS / --



PERFORMANCE CURVES

DAB PUMPS S.p.A.
Via Marco Polo, 14 - 35035 Mestrino (PD), Italy
Tel. +39 049 5125000 - Fax +39 049 5125950
www.dabpumps.com

2023-08-03

Pagina 2 / 3

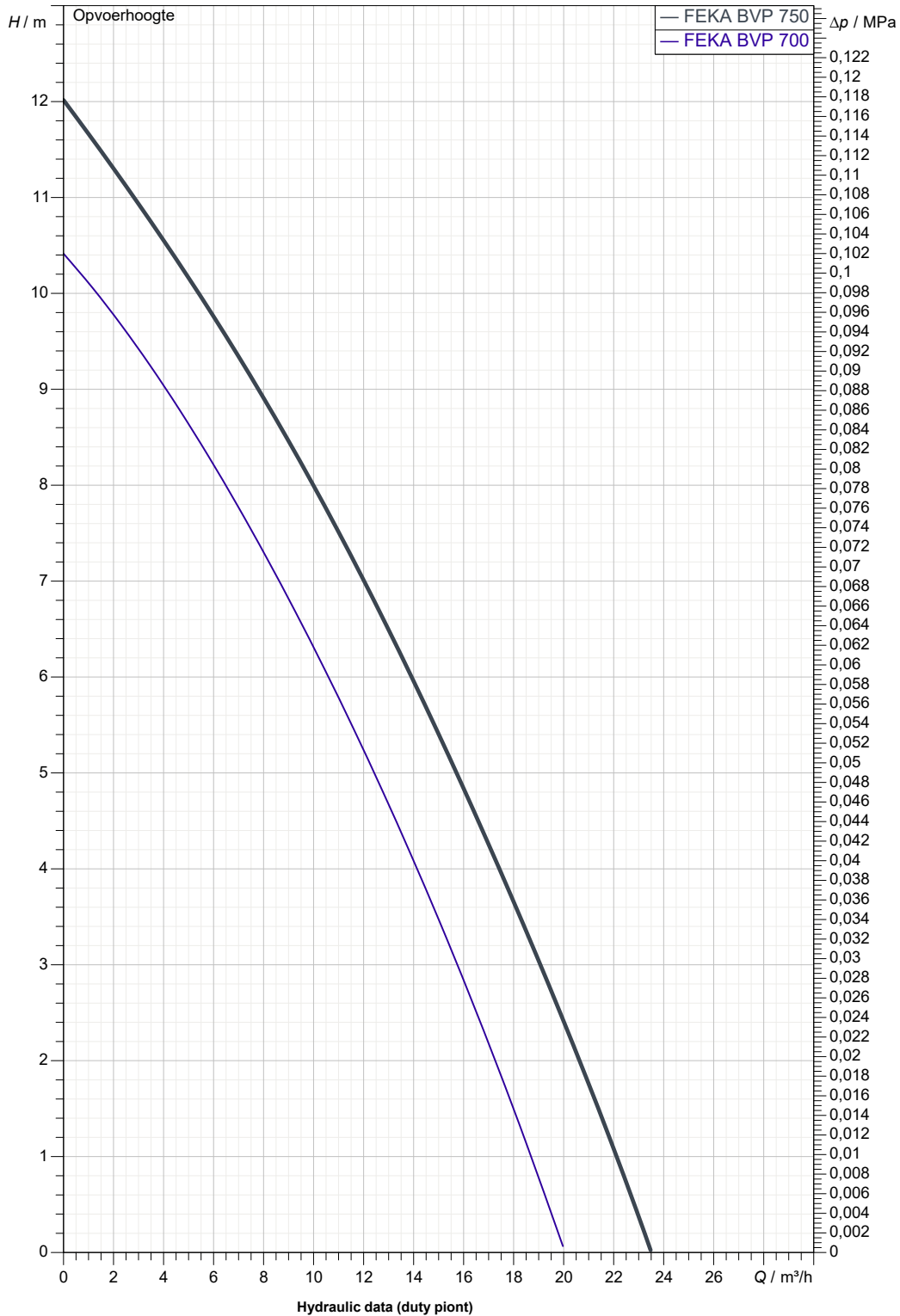
Receiver

From

Company
Reference
Address
Phone
Fax
E-mail

FEKA BVP 750 M-A

Curve tolerance according to ISO 9906



Suction side

Discharge side
1" 1/2 GAS
--

Flow :

Head :

Rated speed:
2.800 1/min

MAIN_PROJECT_TITLE

BUSINESS_PROCESS_ID

OWNER_

ISSUE_DATE
2023-08-03



DIMENSIONAL DRAWING

2023-08-03

Pagina 3 / 3

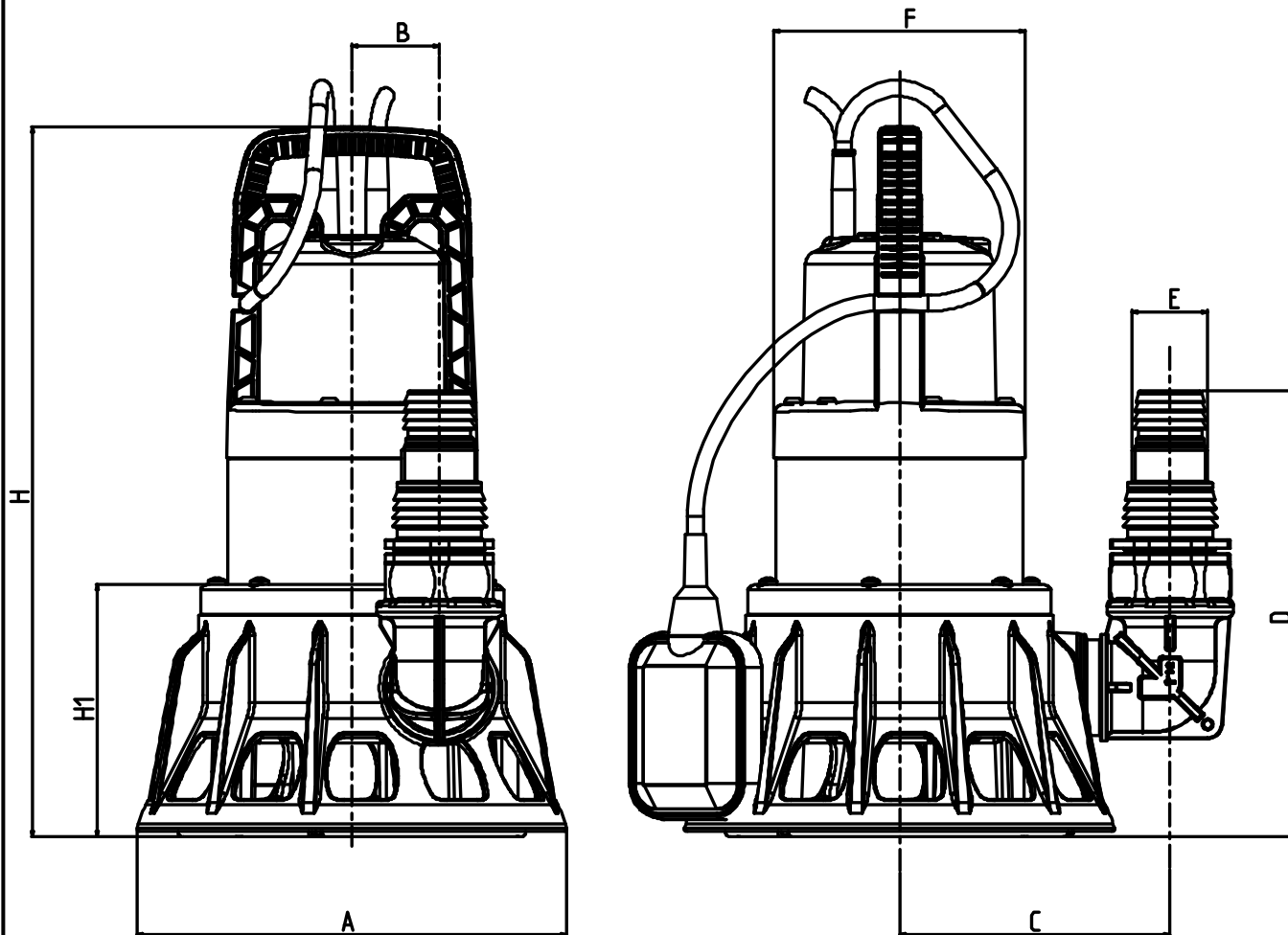
DAB PUMPS S.p.A.
Via Marco Polo, 14 - 35035 Mestrino (PD), Italy
Tel. +39 049 5125000 - Fax +39 049 5125950
www.dabpumps.com

Receiver

From

Company
Reference
Address
Phone
Fax
E-mail

FEKA BVP 750 M-A



Dimensions in mm			Pump connection	
1	A	240		
2	B	49		Suction
3	C	150		
4	D	250		
5	E	40		
6	F	140		
7	H	400		Discharge
8	H1	142		1" 1/2 GAS
9				--
10				
11				

MAIN_PROJECT_TITLE	BUSINESS_PROCESS_ID	OWNER_	ISSUE_DATE 2023-08-03
--------------------	---------------------	--------	---------------------------------